

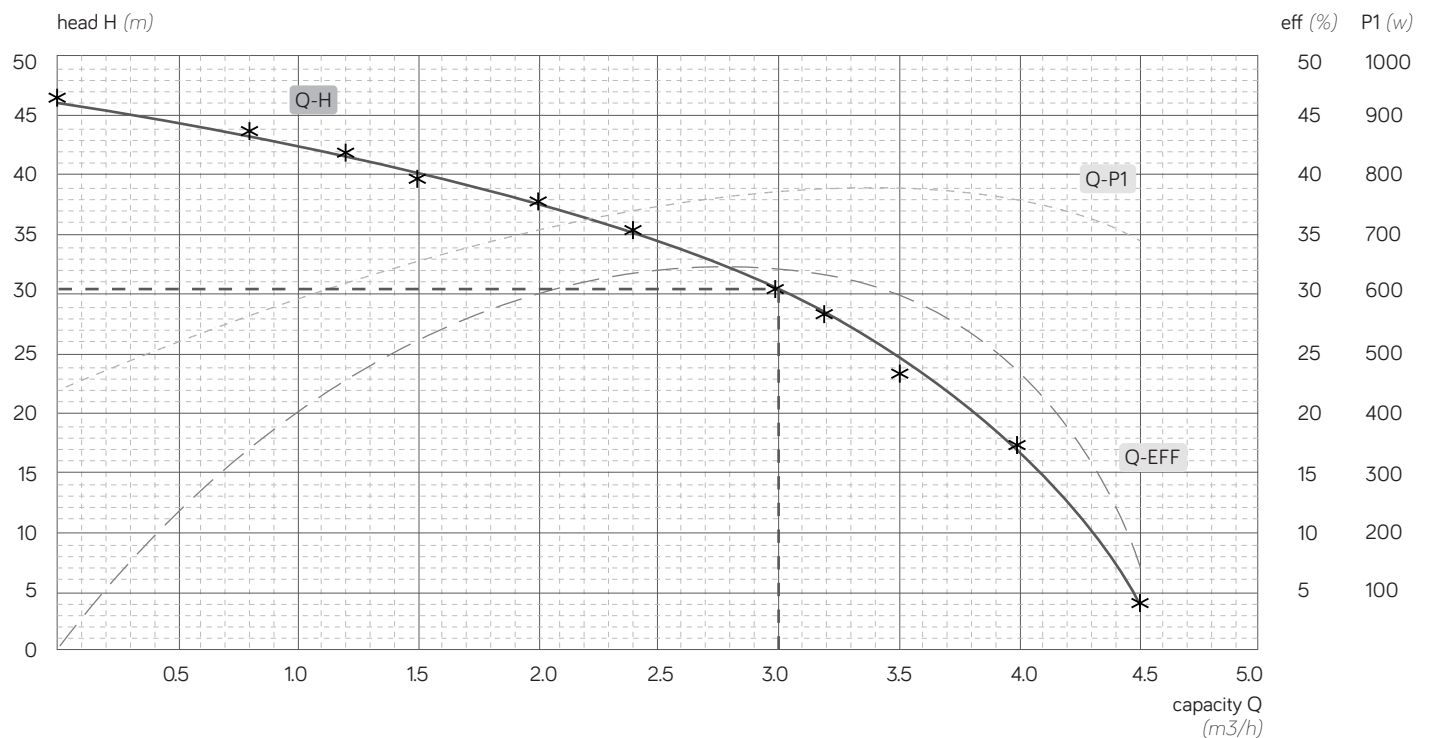


MHSB-3-47-SP

multistage stainless steel booster pump (self-priming)

| | | | |
|-------------------------|----------------------|-----------------------|-----------------------------|
| voltage (U) | : 1 x 220 v~ / 50 hz | suction (Hs) | : 5.5 m |
| power (P1)* | : 773 w | max water temp (tmax) | : 70 °C |
| power (P2) | : 550 w | max pressure (Pmax) | : 8 bar |
| current (I)* | : 3.40 A | capacitor | : 20 µF / 450 v |
| pump (in x out) | : 1" F x 1" F | seal | : 155-15 (graphite/ceramic) |
| pres control (in x out) | : 1" M x 1" M | bearing | : 6202-2RS / 6203-2RS |
| min flow (Qmin) | : 2 lpm | inlet & outlet | : sus304 |
| nominal flow (Qnom) | : 3.0 m3/h • 50 lpm | shaft | : sus304 |
| nominal head (Hnom) | : 30.2 m | impeller | : sus304 |
| max flow (Qmax) | : 4.5 m3/h • 75 lpm | diffuser | : sus304 |
| total head (Hmax) | : 46.3 m | insulasi | : F |
| | | ip proteksi | : ip55 |

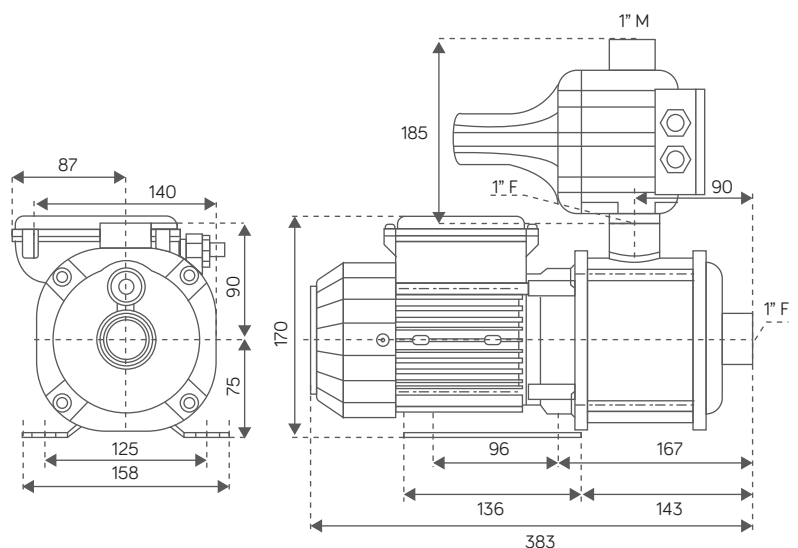
PERFORMANCE CURVE/kurva performa



PERFORMANCE TABLE/tabel performa

| Q (m3/h) | H (m) | I (A) | p1 (w) | eff (%) |
|----------|-------|-------|--------|---------|
| 0.0 | 46.3 | 2.23 | 439 | 0.00 |
| 0.8 | 43.5 | 2.25 | 544 | 17.43 |
| 1.2 | 41.7 | 2.72 | 593 | 22.99 |
| 1.6 | 39.6 | 2.92 | 649 | 26.60 |
| 2.0 | 37.6 | 3.07 | 690 | 29.70 |
| 2.4 | 35.2 | 3.23 | 731 | 31.49 |
| 2.8 | 32.3 | 3.35 | 762 | 32.34 |
| 3.0 | 30.2 | 3.40 | 773 | 31.94 |
| 3.2 | 28.2 | 3.41 | 779 | 31.57 |
| 3.6 | 23.1 | 3.42 | 780 | 29.05 |
| 4.0 | 17.7 | 3.36 | 765 | 25.22 |
| 4.5 | 4.0 | 3.05 | 690 | 7.11 |

TECHNICAL DRAWING/gambar teknik



waterplus+ | service center: (021)-422-6888 • whatsapp: 0878 7453 9888 • email: info@waterplus.com

untuk setiap produk yang anda beli, kami akan memberikan satu liter air bersih untuk mereka yang membutuhkan. ONE FOR ONE.

*rated current & power

**konten pada dokumen ini dapat berubah karena persyaratan di berbagai situs, pasar dan/atau negara, kadaluwarsa atau termasuk kelalaian, ketidakakuratan atau hal lainnya, kesalahan. semua konten dapat berubah tanpa pemberitahuan sebelumnya